

ZSQ-09

SIGNAL FIRE STRIPPER

9-IN-1 OPTICAL FIBER STRIPPER

- ✓ Three-port Miller stripper
- ✓ FTTH Drop cable stripper
- ✓ kevlar scissors
- ✓ FTTH Drop cable steel wire pliers
- ✓ Rotary ruler
- ✓ Cleaning cotton



SEVEN TOOLS NINE FUNCTIONS

Multiple patents Highly integrated Reduce carrying

kevlar scissors
(prohibit cutting steel wires)

Three-port Miller stripper

Cleaning cotton

5G FTTH Drop cable

Caliber: 2mm x 1.6mm

Both regular FTTH Drop cable

Caliber: 3mmx2mm

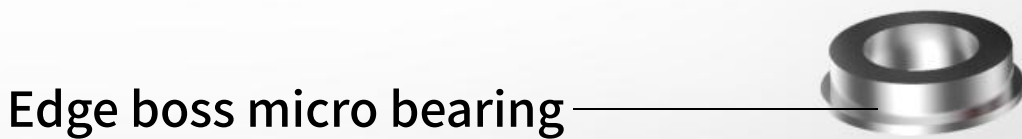
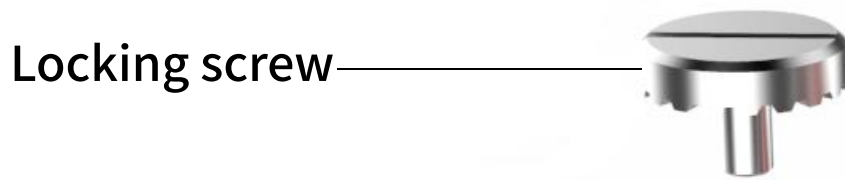
Rotary ruler

FTTH Drop cable steel wire pliers

Can not cut FRP steel wire/else steel wire
Blade maybe will scratch and have trace,
It' s normal and will not influence you to use
it If you are care about this, Then please buy
with cautions.

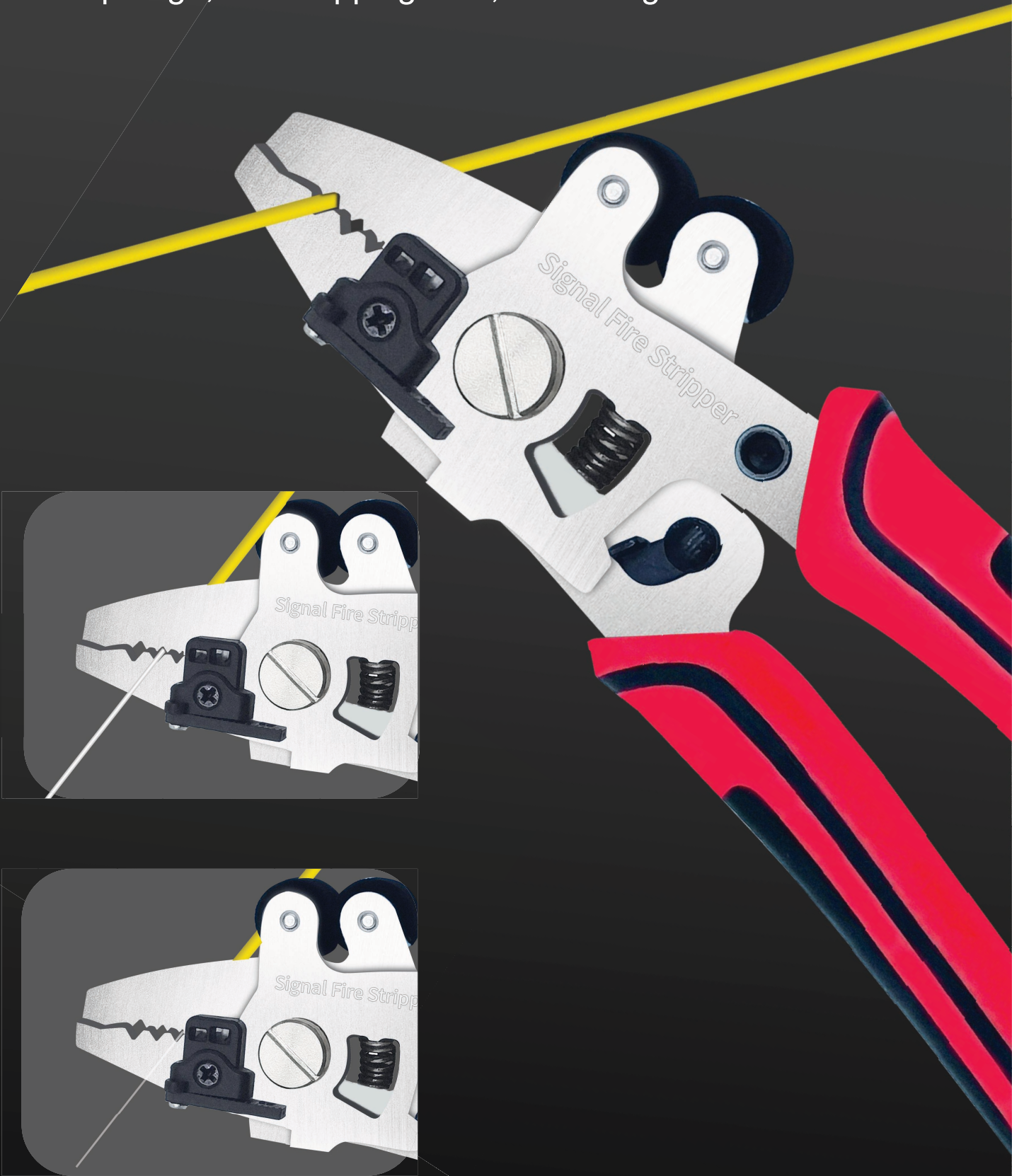


COMPOSITE CENTER ANTI SLIP SHAFT SYSTEM



THREE-PORT MILLER STRIPPER

Sharp edge, fast stripping fiber, no damage to fiber core



FTTH DROP CABLE STRIPPERS

Both regular leather fiber and 5G FTTH Drop cable
can be used



**5G FTTH Drop
cable**

Caliber: 2mm x 1.6mm

**Both regular
FTTH Drop cable**

Caliber: 3mm x 2mm

KEVLAR SCISSORS

Military grade stainless steel clamp body



prohibit cutting steel wires

High temperature quenching,
sharp wear-resisting edge,
through 21 processes
grinding forging

FTTH DROP CABLE STEEL WIRE PLIERS

Can not cut FRP steel wire/else steel wire



Blade maybe will scratch and have trace, It' s normal and will not influence you to use it If you are care about this, Then please buy with cautions.

COMES WITH CLEANING COTTON

Wipe off the cladding of optical fiber
rotatable and replaceable(using 3mm hexagon socket screws)

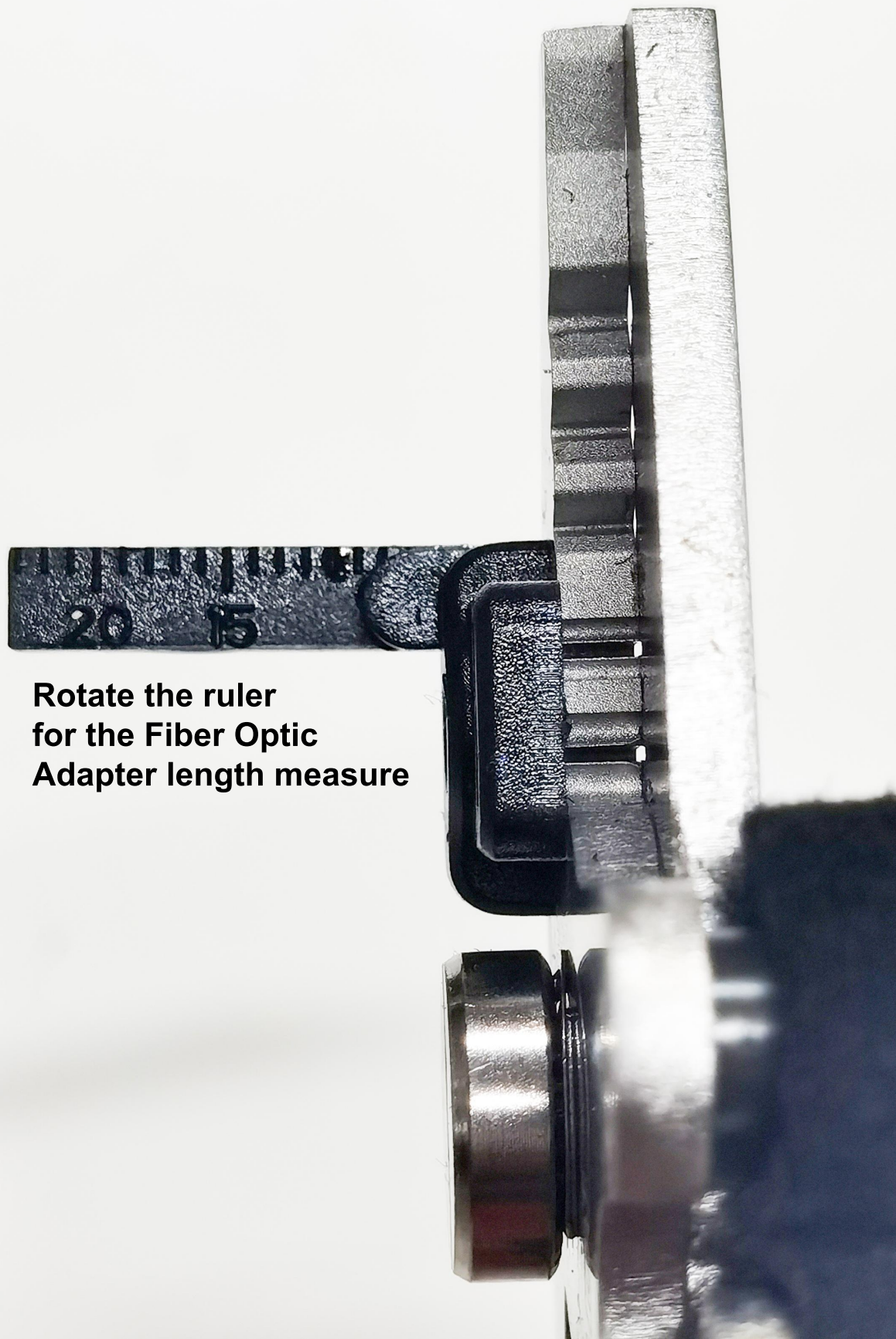


Press and dip alcohol
swivel, reusable, replaceable
(4 complimentary)



ROTARY RULER

The scale can rotate for precise measurement of fiber size



Rotate the ruler
for the Fiber Optic
Adapter length measure

We exhaust our minds only for extraordinary design and practical manufacturing

We enable users to achieve maximum results with minimal effort.

Signalfire stripper is another innovation by us. It combines Miller pliers, two size of FTTH drop cable stripper, alcohol cleaning cotton, Kevlar scissors, FTTH drop cable special steel wire pliers, fiber optic rulers, seven tools and nine functions into a very lightweight tool, making the users relaxed and comfortable from now on.

Signal fire stripper is also a high standard tool, using military grade stainless steel pliers. For the first time, the composite center anti slip shaft system, which is only used for luxury tools, has been applied in the field of optical fiber tools, allowing customers to fully enjoy the production standards of aerospace technology.

Our name is SIGNAL FIRE, and we never plagiarize. We only make inventions

so you can see there are three approved Chinese patents on this Signal fire stripper, one EU patent, and one pending US patent. This is the crystallization of expertise and a feast of knowledge. Signal fire stripper is always worth your appreciation, and we bow here to express our gratitude!

BASIC PARAMETER

Products are manually measured, there is a little error, please make the object as the standard



Pliers weight: 0.14kg



Pliers (with packing) weight: 0.20kg

Intellectual property



EU Patent No

